

take off

FREESTANDING





Design: Artopex Design Team

Office space with Take Off furniture and Sky 700 walls.

Your business is on the move! You need flexible workspaces – office furniture of exceptional quality with configurations that can adapt from one task, function or work session to another.

Take Off reflects your dynamic reality by offering professional workspaces that are the perfect match for even the most variable contexts.

From the reception area to private offices, and for all the shared spaces in between, the Take Off freestanding furniture collection offers an infinite number of solutions to meet your specific needs.

With a clever mix of materials and finishes and a multitude of practical accessories, Take Off rises to the challenge: creating personalised workstations while maintaining a harmonious, signature look for your environment.



Benching tables easily adapt to varying numbers of users and provide storage options that meet the needs of the individual as well as the group.

Privacy screens help define each workstation while providing a place for functional accessories such as tackboards and whiteboards.

REVOLUTION ZONE

The way we work is changing constantly and ever more rapidly. Today's business environments need versatile workstations that can be shared by multiple users.

The tables in the Take Off collection are perfectly suited to this new reality, providing both collaborative areas for interacting and working in groups, and individual areas designed for mobile workers. Take Off opens up the possibilities to the best of both worlds.



- Take Off offers benching applications accommodating 2, 3, 4, 6 or even 8 users.
- Choice of metal or laminate bases, or an elegant combination of both.





Ideal for shared spaces, the keyless Noki lock is an Artopex exclusive. Noki locks help ensure the confidentiality and security of your files.

BOUNDARIES WITHOUT BARRIERS

Facilitating the meeting of minds while stimulating personal initiative, Take Off creates workspaces that are open and shared, but also take the specific needs of each user into account.

Whether with privacy screens, pigeonhole units, modular hutches or top cabinets, the Take Off collection offers many ways to define the space of each workstation to suit the desired level of privacy while providing optimal organization.



Multiple workstations = Efficient power management. Easy integration of all wiring systems.



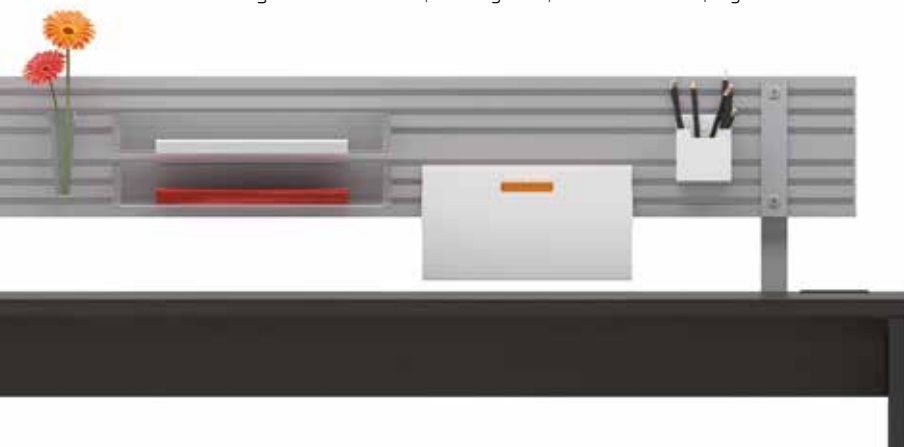


Numerous convenient options let you customize each workstation: Whether with shared hutches, low credenzas or top shelving cabinets, Take Off is always synonymous with more choices.

EVERYTHING IN ITS PLACE

To work efficiently, you need clearly defined zones: the work surface, the storage area and the filing area ... Take Off layered workstations have it under control.

Whether configured face to face, side by side, or back to back, layered workstations efficiently separate and manage your work and storage areas.



Dress up your space with beautiful accessories. Thoughtful design, brilliantly executed!

Putting small spaces to good use:

- Mini storage shelf or drawer rear clearance to accommodate cables.





Combine, arrange, organize:
The possibilities for storage unit layouts are as limitless as your imagination.

YOUR SIGNATURE STYLE

Create a distinctive executive suite that reflects your unique image with the versatile architecture of Take Off. Choose a classic or contemporary look, or blend both in harmonious synergy. The rich palette of materials and myriad possible combinations will give your space style ... your style, for your office environment.



- Storage units available in a wide range of shapes, sizes and colors.
- For the doors with anodised aluminum frames, choose a traditional or more contemporary look with laminate, acrylic or high gloss white inserts.



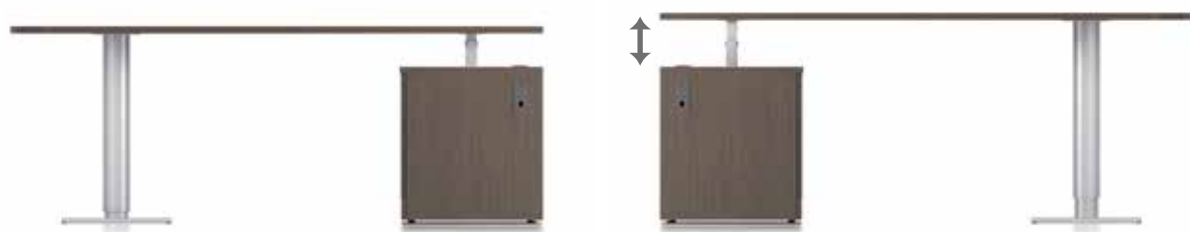


THE ART AND THE PURPOSE

The perfect balance between elegance and performance in your work environment. An image of distinction with no compromises on practical details: open and closed storage units, recycling pedestal, pigeonhole units and work surfaces of exceptional quality with finishes resembling carefully matched natural wood veneers.



Tables with a vast selection of metal and laminate bases.



Surface adjustable from 28" to 31" high.



POWER AND CABLE MANAGEMENT

The Take Off collection offers various power and cable management solutions concealed under the work surfaces. Two types of power systems are available: a 4-circuit system and a 1-circuit system. Cable conduit makes it easy to integrate power and communications systems into the workstations.

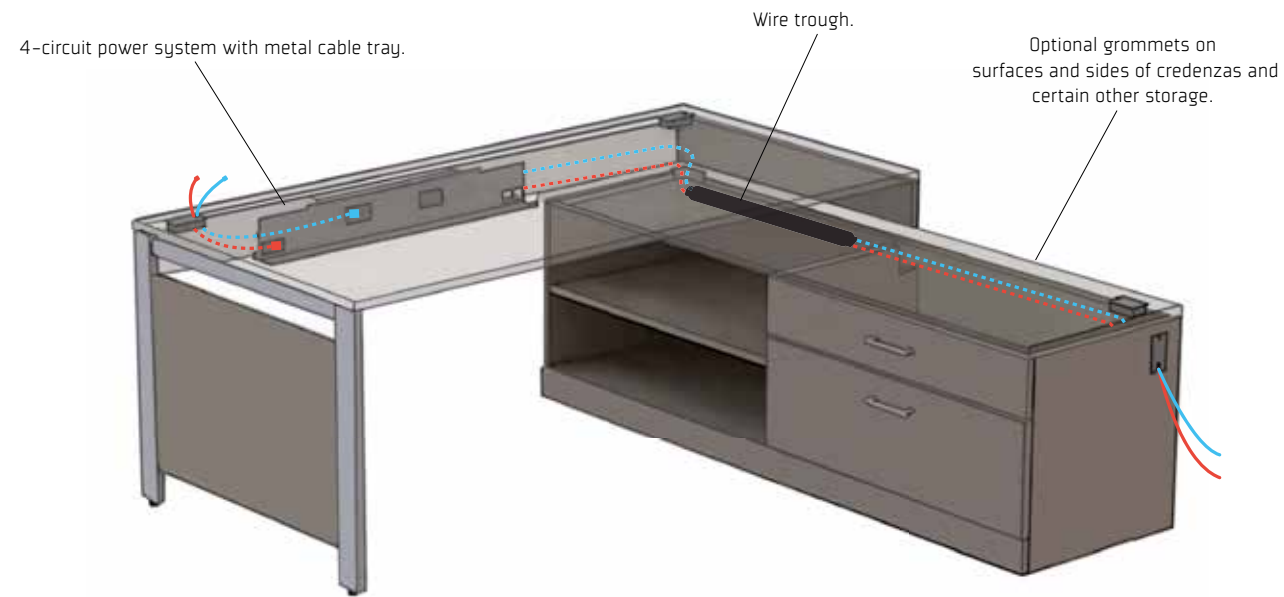
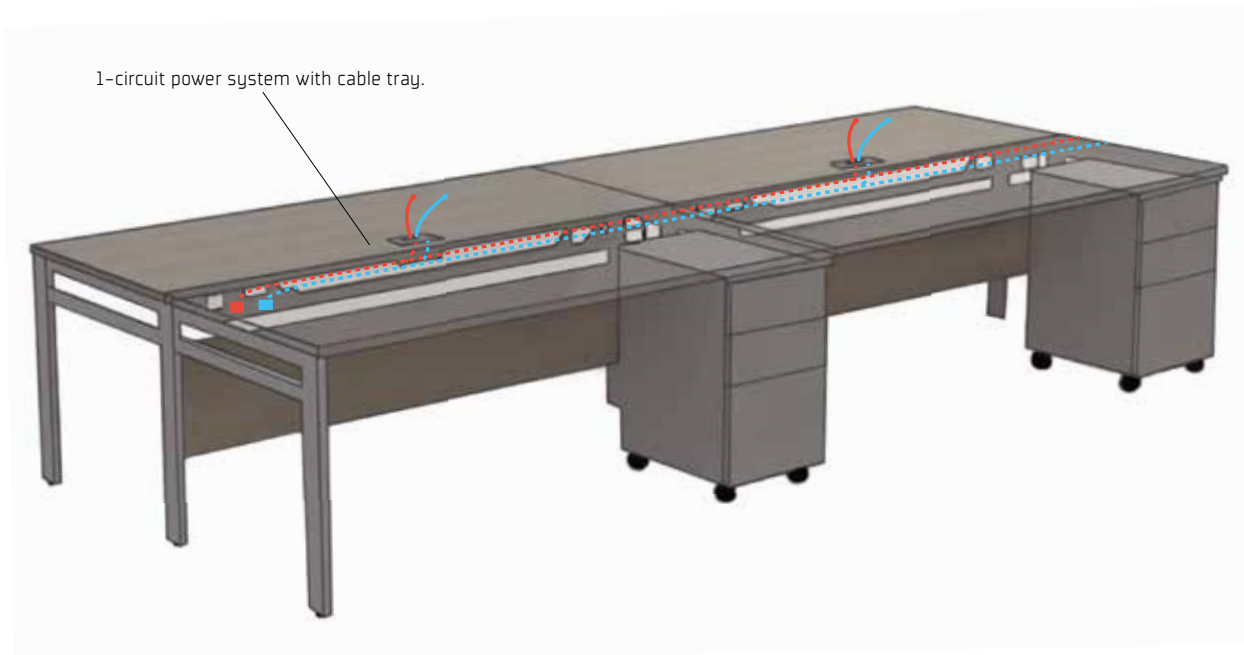


Table on credenza 23" high (layering)

Cables and wiring travel under the work surface and credenza to the power source (floor, wall or ceiling).



Benching

Cables and wiring travel under the work surfaces to the power source (floor, wall or ceiling).

PULLS



TN - Techno



DN - Deco



J - Satin Chrome



X - Aluminum



YN - Brushed Nickel



YA - Antique Nickel



YB - Brushed Bronze

EDGE BANDS



Fluted



W - Aluminum finish



V1 - MultiPLY (maple)



R1 - Striped (maple /honey)



R3 - Striped (burgundy /honey)

DOOR FRAMES



Contemporary /Laminate



Contemporary /High Gloss White



Contemporary /Frosted Acrylic

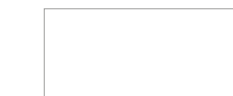


Traditional /Frosted Acrylic

METAL



3090 - Silver



3002 - Polar White



3064 - Charcoal



3067 - Black

For a complete selection of laminate finishes and fabrics available, refer to the Artopex finishes and fabrics cards.

The colors shown are as accurate as printing techniques allow. Always refer to actual samples from the Artopex collection.

*Designing, manufacturing, advising, planning
and supporting: that's the art that
distinguishes our purpose at Artopex.*



HEAD OFFICE

800, Vadnais Street
Granby, Quebec
J2J 1A7
CANADA

Tel.: 450.378.0189
1 800.363.3040

Fax.: 450.378.9712

artopex.com

